

- NOTE**
- THE COMPONENTS IDENTIFIED BY MARK **A** ARE CRITICAL FOR SAFETY.
  - REPLACE ONLY WITH PART NUMBER SPECIFIED.
  - VOLTAGE MEASURED WITH VOLTMETER IS DC VOLTAGE AND INPUT SIGNAL.
  - ALL PNP TRANSISTORS ARE EQUIVALENT TO 2N4104-08 UNLESS OTHERWISE NOTED.
  - ALL NPN TRANSISTORS ARE EQUIVALENT TO 2N4403-08 UNLESS OTHERWISE NOTED.
  - ALL DIODES ARE EQUIVALENT TO 1N5133 UNLESS OTHERWISE NOTED.
  - ELECTROLYTIC CAPACITORS IN LAMP IS 50V.
  - ALL CAPACITORS ARE IN P/P/50V UNLESS OTHERWISE NOTED.
  - EXHAUSTIVE TEST PROCEDURES ARE IN 333A-333.
  - ALL RESISTORS ARE IN OHMS UNLESS OTHERWISE NOTED.
  - THE THICK LINES IN PC BOARD ARE THE PRINTING SIDE OF THE PARTS.
  - EMISSION IS SUBJECT TO CHANGE FOR IMPROVEMENT.

A

B

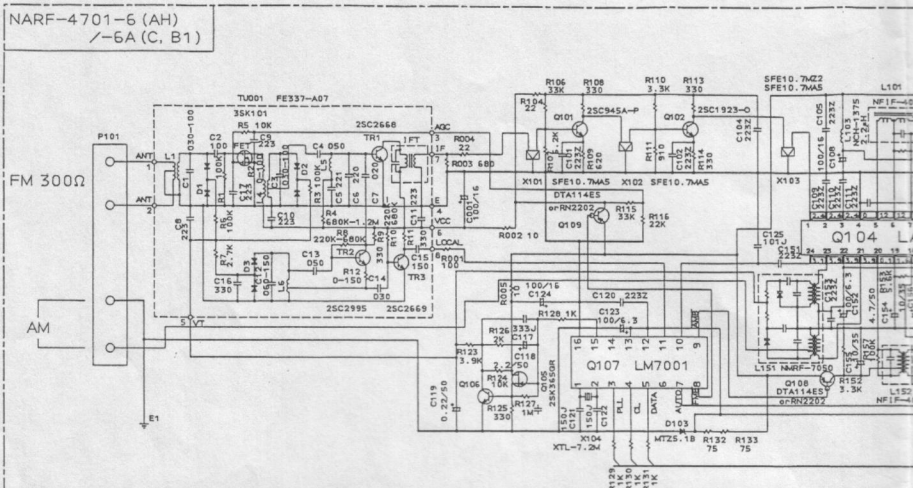
C

D

# SCHEMATIC DIAGRAM (PART-2)

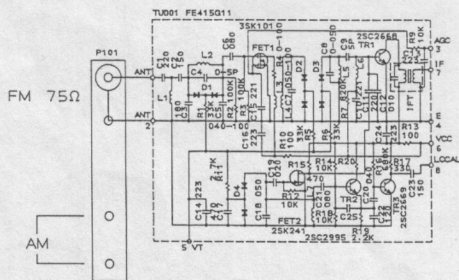
## TUNER SECTION

1



2

3



4

	AH	C, B1
Q101		
X102		
L104		
R106-109	No parts	○
R201		
R226		
C101		
C115		
R203	○	No parts
R111	910Ω	560Ω
TU001	FE337-A07	FE415-G11
X103	SFE10.7MA	SFE10.7M2

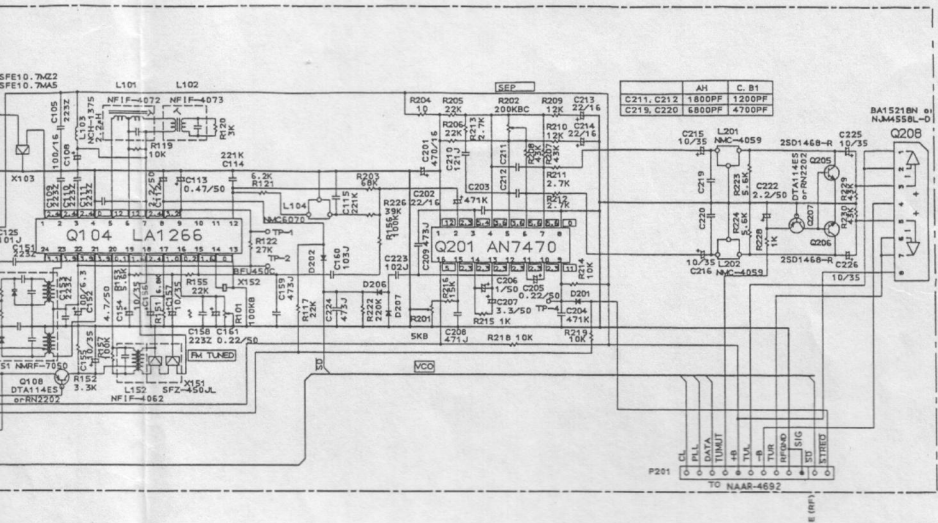
5

D

E

F

G



A

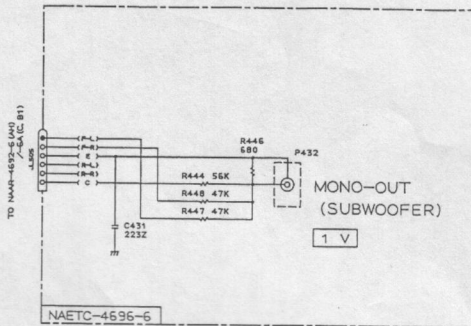
B

C

D

# SCHEMATIC DIAGRAM (PART-3)

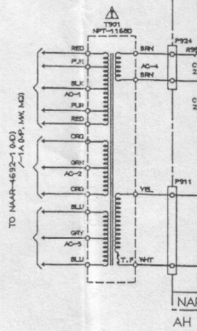
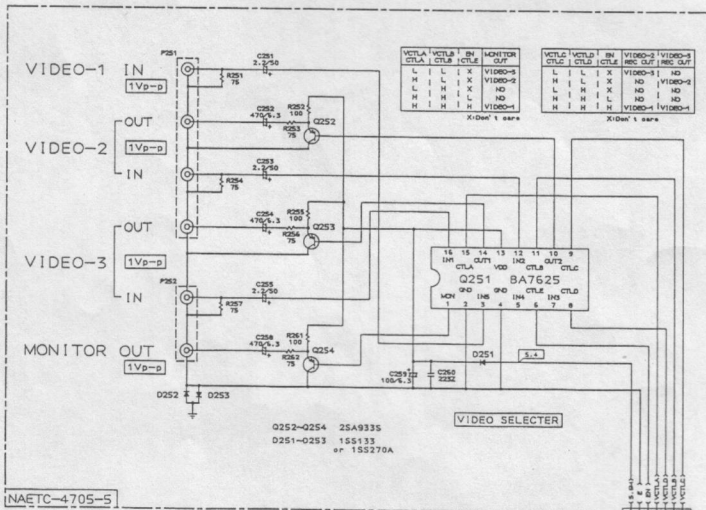
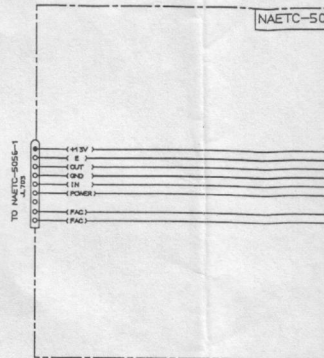
## POWER SUPPLY AND VIDEO SECTION



AH type : 120V/60Hz Area

C type : 230V/50Hz Area

B1 type : 240V/50Hz Area





NAETC-5057-1 (AH, C, B1)

